

MODELLI MODELS	MOMENTO LIFTING MOMENT	SBRACCIO ORIZZONTALE HORIZ. HYDRAULIC OUTREACH	PORTATA AL DISTRIBUTORE OIL FLOW TO THE CONTROL VALVE	SBRACCIO MAX. VERTICALE MAX VERTICAL REACH	PRESSIONE PRESSURE	PESO WEIGHT
	tm	m	l/min	m	bar	kg
108 A1	9.46	5.94	25	9.45	290	1230
108 A2	-	7.74	25	11.30	290	1335
108 A3	-	9.70	25	13.20	290	1430
108 A4	-	11.80	25	15.30	290	1520
108 A5	-	13.75	25	17.30	290	1590

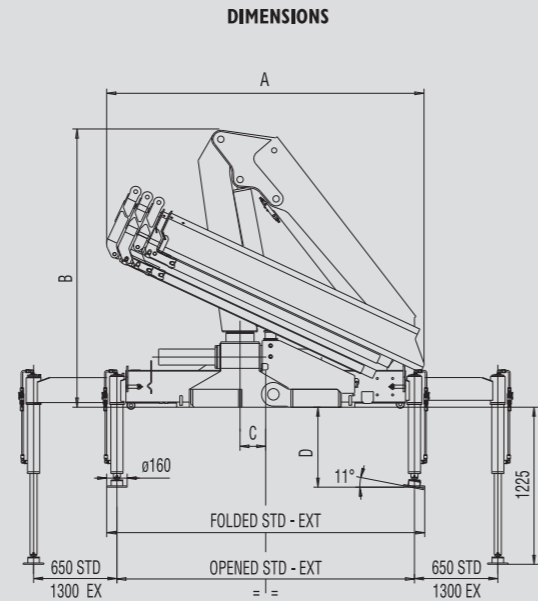
Autocarro consigliato - Recommended truck - Camion conseillé - Camion aconsejado  
M.T.T. ton 12 - G.V.W. ton 12

**STANDARD**



Model	1.00m	2.20m	4.20m	5.94m
108 A1	9460	4300	2280	1590
108 A2	9020	4100	2180	1500
108 A3	8755	3980	2050	1370
108 A4	8450	3840	1930	1280
108 A5	8140	3700	1820	1190

\*) Portata teorica - Theoretical lifting capacity



Mod.	FOLDED			OPENED		
	A	B	C	STD	EXT	D
108 A1	2480	2170	200	2320	-	625
108 A2	2480	2170	200	2320	-	625
108 A3	2480	2170	200	2320	-	625
108 A4	2480	2170	200	2320	-	625
108 A5	2480	2170	200	2320	-	625

SPAZIO RICHiesto PER L'INSTALLAZIONE  
NECESSARY SPACE FOR INSTALLATION

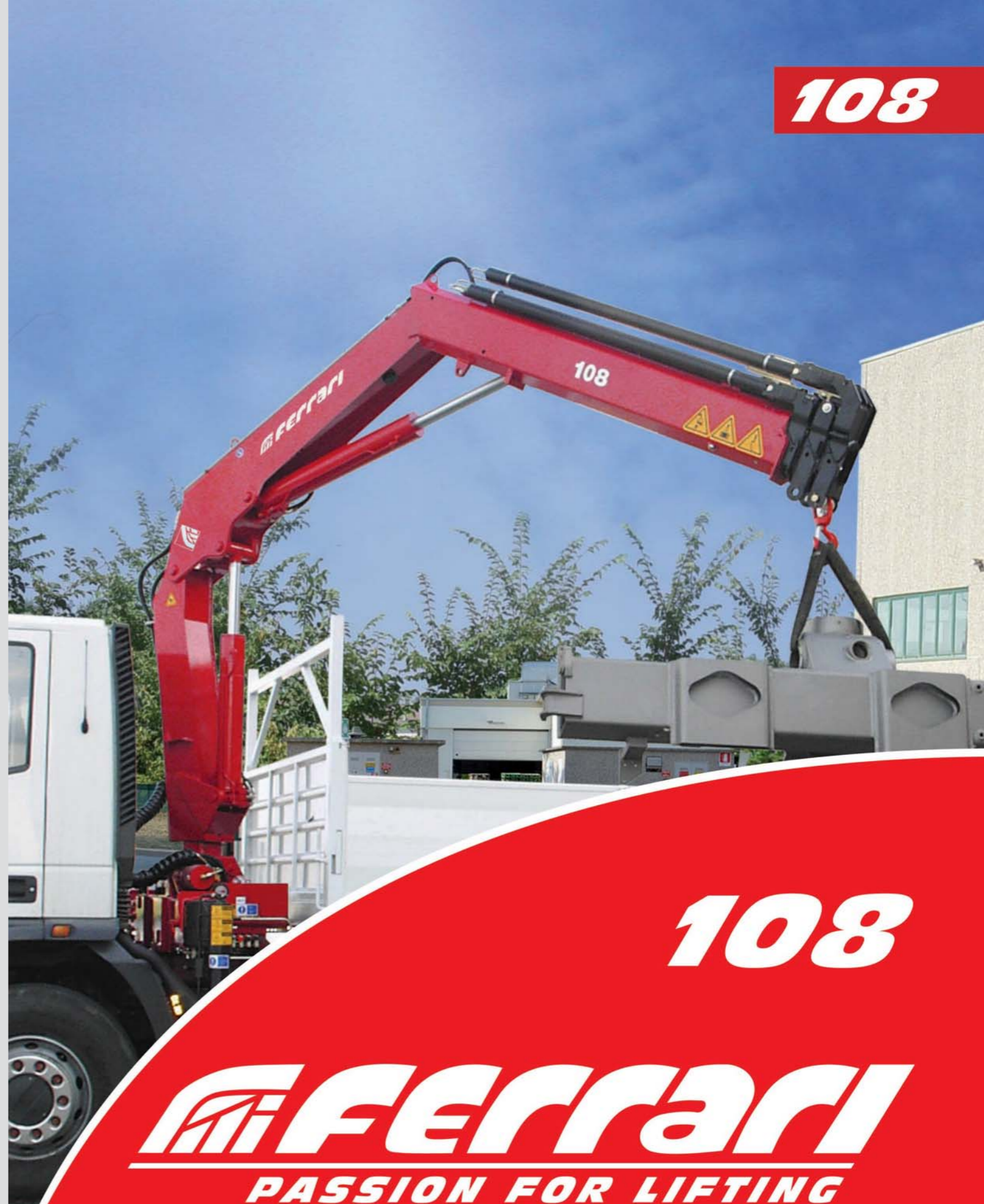
Mod.	Con attivazioni - With extra functions
108 A1	640
108 A2	640
108 A3	750 (optional)
108 A4	750 (optional)
108 A5	750



Flli FERRARI  
Via Einstein, 8  
42028 Poggio (RE) Italy  
Tel. +39 0522/486308  
Fax +39 0522/486330  
marketing@flliferrari.it  
www.flliferrari.com



M.K.T. 5800356 - Data di stampa - Date of printing - Zeitpunkt des Drucks - Fecha de impresión: 01/07/2018.





# FERRARI 108

PASSION FOR LIFTING

I

La gru F.Ili Ferrari mod. 108 racchiude in se caratteristiche tecniche e meccaniche di elevata qualità

- Comandi bilaterali incrociati
- Ingrassaggio centralizzato
- Sfili esagonali
- Estensione cilindri indipendenti
- Cilindri stabilizzatori fissi
- Valvole flangiate
- Serbatoio olio
- Kit di montaggio
- Raccorderia SAE-JIC
- Norma di progettazione: EN12999
- Classe di collaudo a fatica: HC1 - S2
- EQS Estension Quick System

#### Accessori

- Stabilizzatori girevoli
- Attivazione elementi supplementari (No 5S)
- Sedile
- Verricello (1 ton.)
- Comando a distanza
- Stabilizzatori ad estensione idraulica

GB

The crane model 108 from F.Ili Ferrari has been projected and manufactured with high quality technical and mechanical characteristics

- Cross dual controls
- Centralized greasing system
- Hexagonal section extension
- Independent extension cylinders
- Fixed stabilizer cylinders
- Flanged valves
- Oil tank
- Assembly kit
- Fittings SAE-JIC
- Design in accordance with EN12999
- Fatigue test classification: HC1 - S2
- EQS Estension Quick System

#### Accessories

- Turning stabilizers
- Supplementary element activation (No 5S)
- Top seat
- Winch (1 ton.)
- Remote control
- Outriggers with hydraulic extension

F

La grue modèle 108 F.Ili Ferrari est conçue avec des caractéristiques techniques et mécaniques de plus haute qualité

- Commandes bilatérales croisées
- Système de graissage centralisé
- Extensions hexagonales
- Vérins d'extension indépendants
- Béquilles fixes
- Soupapes à bride
- Réservoir d'huile
- Kit de montage
- Tujauterie SAE-JIC
- Normes de calcul: EN12999
- Tests de fatigue en classe: HC1 - S2
- EQS Estension Quick System

#### Accessoires

- Stabilisateurs pivotants
- Activation éléments supplémentaires (No 5S)
- Siège en haut
- Treuil (1 ton.)
- Commande à distance
- Stabilisateurs élargissables hydrauliquement

D

Das Kranmodell 108 vom F.Ili Ferrari ist mit höchsten Qualität für technischen und mechanischen Eigenschaften projiziert und hergestellt worden

- Kreuzdoppelsteuerungen
- Zentralschmiersystem
- Sechskantige Auszüge
- Unabhängige Auszugzylindern
- Fest Abstützungen
- Ventile mit Flansch
- Ölbehälter
- Einbausatz
- Anschlüsse SAE-JIC
- Berechnungsnorm nach EN12999
- Ermüdungstest in Klasse: HC1 - S2
- EQS Estension Quick System

#### Zubehoere

- Drehbare Abstützbeine
- Extra Funktionen (Nicht an 5S)
- Hochsitz
- Winde (1 ton.)
- Funkfernsteuerung
- Hydraulisch ausfahrbare Abstützungen

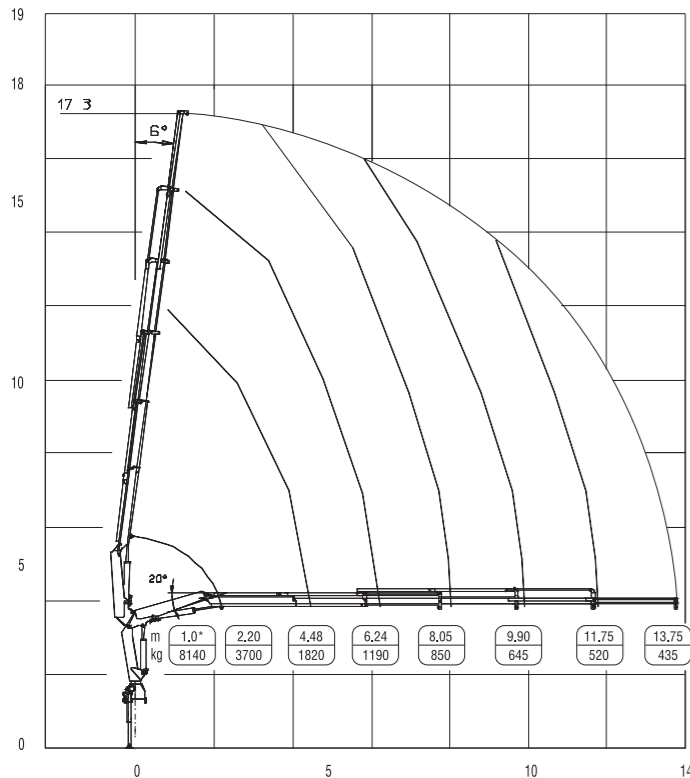
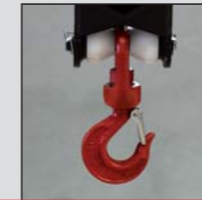
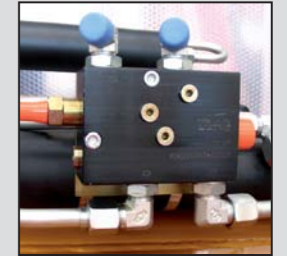
SP

El modelo de la grúa 108 de F.Ili Ferrari se ha proyectado y fabricado con características técnicas y mecánicas de alta calidad

- Mandos duales cruzados
- Sistema de engrase centralizado
- Brazos telescópicos hexagonales
- Cilindros extensión independientes
- Gatos estabilizadores fijos
- Valvulas pilotadas
- Deposito de aceite
- Kit de ensamble
- Conexiones SAE-JIC
- Norma del proyecto: EN12999
- Tipo de ensayo a la fatiga: HC1 - S2
- EQS Estension Quick System

#### Accesorios

- Gatos giratorios
- Activación elementos suplementarios (No 5S)
- Puesto de maniobra arriba
- Cabrestante (1 ton.)
- Mando a distancia
- Estabilizadores extraíbles hidráulicamente



\*) Portata teorica  
Theoretical lifting capacity

## RADIO REMOTE CONTROL



The operator can control the crane with high precision proportional levers in every position and, doing so, can supervise the loading and unloading operations. That means a great time saving and a higher safety.

All the remote controls used by F.Ili FERRARI have an identification code and are shielded from electromagnetic fields and from external radio signals.

