

531
Small articulated

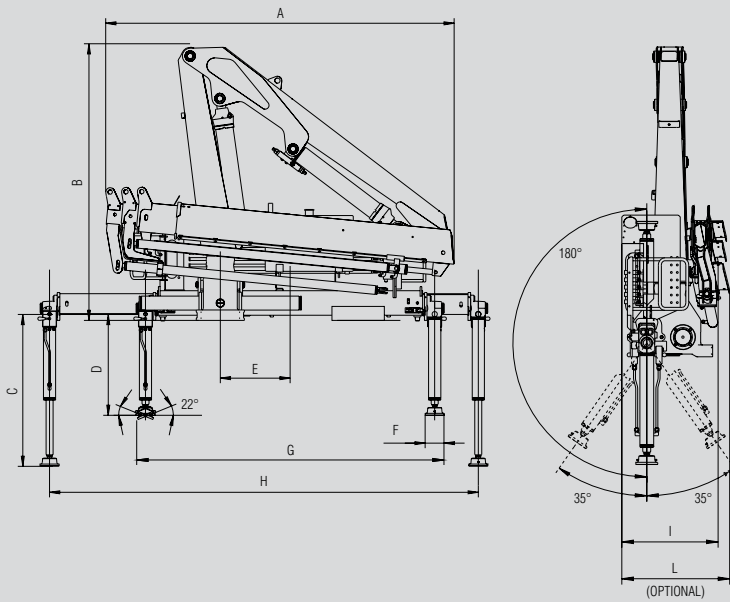


531

Ferrari

PASSION FOR LIFTING

531 Technical data



A1	2590*	1330**	820	575	420	310
kg	1,00	1,90	3,15	4,50	5,95	7,40
m						

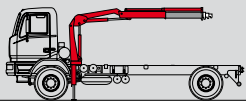
A2	2490*	1280**	765	530	405	310
kg	1,00	1,90	3,25	4,60	5,95	7,40
m						

A3	2410*	1230**	720	495	370	300	220
kg	1,00	1,90	3,35	4,70	6,00	7,35	8,75
m							

*) Theoretical lifting capacity
 **) Capacity at fixed hook (only if with load limiting device in EC state)

	A1	A2	A3
A	1860	1920	2000
B	1590	1590	1590
C	895	895	895
D	544	544	544
E	400	400	400
F	110	110	110
G (STD)	1770	1770	1770
G (EXT)	2070	2070	2070
H (STD)	2460	2460	2460
H (EXT)	2760	2760	2760
I	490	490	490
L	550	550	550

	Lifting Moment	Slewing Angle	Working pressure	Oil tank capacity	Max Oil flow	Max lifting height	Standard crane weight
	tm	°	bar	l	l/min	m	kg
A1	2,59	370	175	25	8	6,98	450
A2	2,49	370	175	25	8	8,32	485
A3	2,41	370	175	25	8	9,66	515



Recommended truck:
 G.V.W. ton 3,5

Standard

- Designed in accordance with EN12999+EN13849
- Design class: HC1-HD4
- High tensile strength steel
- Cast base
- Hexagonal section extensions
- Independent extension cylinders
- Flanged valves
- Assembly kit included
- Oil tank
- Light indicator for correct stabilizer stowing (CE)
- Mechanical rotation limitation (CE)
- Dual-side controls (No with radio remote control)
- Fixed stabilizer cylinders with manual extension



Fili FERRARI
 Via Einstein, 8
 42028 Poggio (RE) Italy
 Tel. +39 0522/486308
 Fax +39 0522/486330
 info@filiferrari.it
 marketing@filiferrari.it
 www.filiferrari.com



Quality and environmental
 certified

Dealer

Data, descriptions, and illustrations pertain only and uniquely to models sold at the time of printing of this brochure. After the date of printing, this information is purely indicative and not binding upon Fili Ferrari. Future modifications are solely at the discretion of Fili Ferrari and are always in compliance with applicable and pertinent safety standards. To obtain updated data, descriptions, and illustrations, contact the manufacturer or your reseller. Cranes manufactured and/or marketed by Fili Ferrari.