

7162D

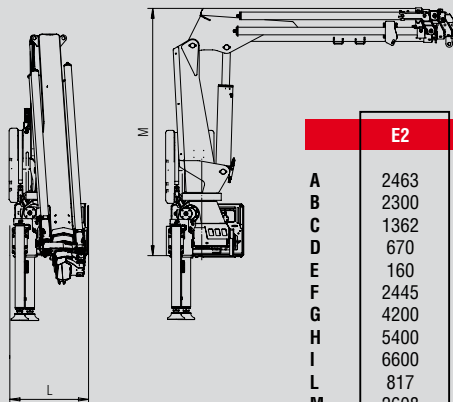
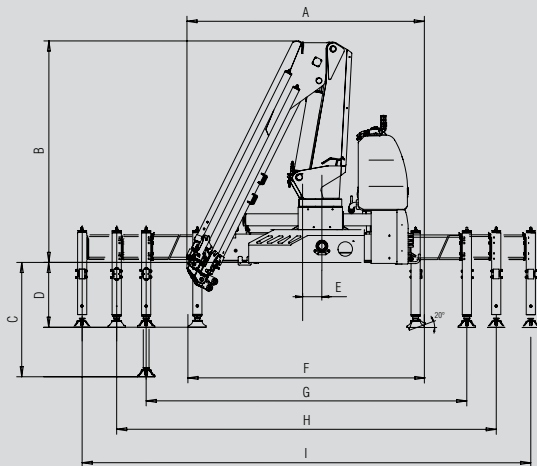
NEW AGE

7162D

Ferrari

PASSION FOR LIFTING

7162D *Technical data*



	E2	E3	E4
A	2463	2463	2463
B	2300	2300	2300
C	1362	1362	1362
D	670	670	670
E	160	160	160
F	2445	2445	2445
G	4200	4200	4200
H	5400	5400	5400
I	6600	6600	6600
L	817	817	817
M	2608	2608	2608

A2

kg	6630	3780	2645
m	2,48	4,28	6,08

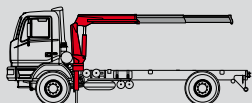
A3

kg	6355	3620	2510	1880
m	2,56	4,36	6,16	8,14

A4

kg	6050	3440	2360	1750	1395
m	2,64	4,44	6,24	8,22	10,20

	Lift Moment	Slewing Angle	Working pressure	Oil tank capacity	Max.Oil flow	Max.lifting height	Standard crane weight
	tm	°	bar	l	l/m	m	kg
A2	16,4	425	290	130	60	9,8	1610
A3	16,3	425	290	130	60	11,8	1720
A4	16,0	425	290	130	60	13,8	1810



Recommended truck:
7162 - M.T.T. ton 15 - G.V.W. ton 15

Standard

- Designed in accordance with EN12999+EN13849
- Design class: HC1-HD4
- Cross controls
- Load limit device
- Flanged valves
- Oil tank
- Manually extendable stabilizers
- Internal stabilizers pipes
- Fixed stabilizer cylinders
- Swivel stabilizer foot
- Centralized greasing system
- SDS Smooth Descent System
- A Class - Crane Control System (CE)
- LED panel - Human Machine Interface (CE)



F.lli FERRARI

Via Einstein, 8
42028 Poviglio (RE) Italy
Tel. +39 0522/486308
Fax +39 0522/486330
info@fliferrari.it
marketing@fliferrari.it
www.fliferrari.com



Quality and environmental
certified

Dealer

Data, descriptions, and illustrations pertain only and uniquely to models sold at the time of printing of this brochure. After the date of printing, this information is purely indicative and not binding upon F.lli Ferrari. Future modifications are solely at the discretion of F.lli Ferrari and are always in compliance with applicable and pertinent safety standards. To obtain updated data, descriptions, and illustrations, contact the manufacturer or your reseller. Cranes manufactured and/or marketed by F.lli Ferrari.