

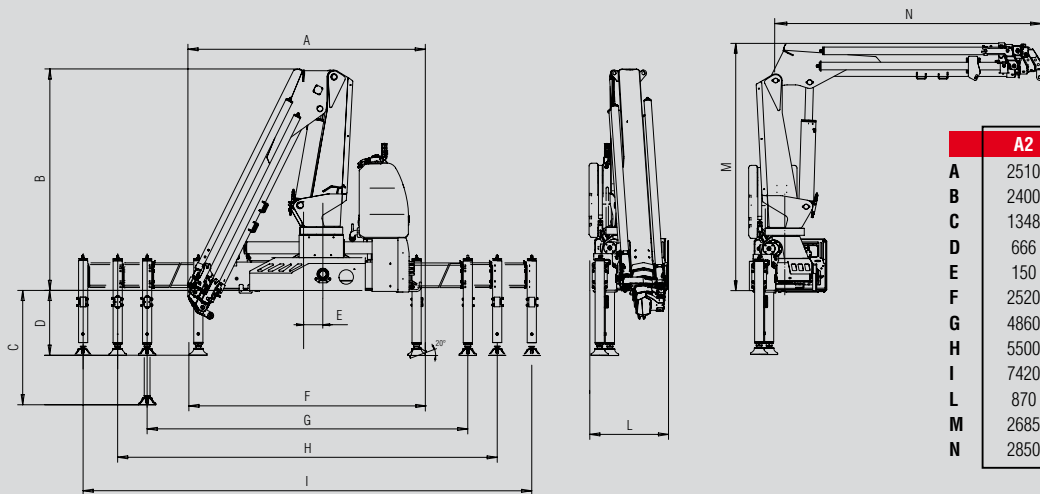
***D Series***  
NEW AGE



***7212D***  
***7240D***

***Ferrari***  
***PASSION FOR LIFTING***

# 7212D - 7240D Technical data



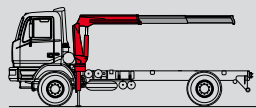
|   | A2   | A3   | A4   | A5   |
|---|------|------|------|------|
| A | 2510 | 2510 | 3540 | 3540 |
| B | 2400 | 2400 | 2400 | 2400 |
| C | 1348 | 1348 | 1348 | 1348 |
| D | 666  | 666  | 666  | 666  |
| E | 150  | 150  | 150  | 150  |
| F | 2520 | 2520 | 2520 | 2520 |
| G | 4860 | 4860 | 4860 | 4860 |
| H | 5500 | 5500 | 5500 | 5500 |
| I | 7420 | 7420 | 7420 | 7420 |
| L | 870  | 870  | 870  | 870  |
| M | 2685 | 2685 | 2685 | 2685 |
| N | 2850 | 2935 | 3020 | 3100 |

## 7212D

|    | A2   | A3   | A4   | A5   |       |       |
|----|------|------|------|------|-------|-------|
| kg | 8510 | 4845 | 3385 |      |       |       |
| m  | 2,37 | 4,17 | 5,97 |      |       |       |
| kg | 8415 | 4805 | 3425 | 2510 |       |       |
| m  | 2,46 | 4,26 | 6,06 | 7,99 |       |       |
| kg | 8085 | 4710 | 3275 | 2455 | 1900  |       |
| m  | 2,54 | 4,34 | 6,14 | 8,08 | 10,02 |       |
| kg | 7250 | 4265 | 2955 | 2180 | 1760  | 1380  |
| m  | 2,62 | 4,42 | 6,22 | 8,16 | 10,10 | 12,03 |

## 7240D

|    | A2   | A3   | A4   | A5   |       |       |
|----|------|------|------|------|-------|-------|
| kg | 8655 | 4985 | 3525 |      |       |       |
| m  | 2,37 | 4,17 | 5,97 |      |       |       |
| kg | 8560 | 4945 | 3465 | 2645 |       |       |
| m  | 2,46 | 4,26 | 6,06 | 7,99 |       |       |
| kg | 8230 | 4755 | 3320 | 2505 | 2005  |       |
| m  | 2,54 | 4,34 | 6,14 | 8,08 | 10,02 |       |
| kg | 7385 | 4395 | 3040 | 2270 | 1825  | 1490  |
| m  | 2,62 | 4,42 | 6,22 | 8,16 | 10,10 | 12,03 |



Recommended truck:  
**7212D** - M.T.T. ton 19 - G.V.W. ton 19  
**7240D** - M.T.T. ton 19 - G.V.W. ton 19

|              | Lifting Moment | Slewing Angle | Working pressure | Oil tank capacity | Max Oil flow | Max lifting height | Standard crane weight |
|--------------|----------------|---------------|------------------|-------------------|--------------|--------------------|-----------------------|
|              | tm             | °             | bar              | l                 | l/m          | m                  | kg                    |
| <b>7212D</b> |                |               |                  |                   |              |                    |                       |
| A2           | 20,2           | 415           | 315              | 130               | 80           | 9,7                | 1945                  |
| A3           | 20,7           | 415           | 315              | 130               | 80           | 11,7               | 2090                  |
| A4           | 20,5           | 415           | 315              | 130               | 80           | 13,7               | 2210                  |
| A5           | 19,0           | 415           | 300              | 130               | 80           | 15,7               | 2305                  |
| <b>7240D</b> |                |               |                  |                   |              |                    |                       |
| A2           | 20,5           | 415           | 335              | 130               | 80           | 9,7                | 1945                  |
| A3           | 21,1           | 415           | 335              | 130               | 80           | 11,7               | 2090                  |
| A4           | 20,9           | 415           | 335              | 130               | 80           | 13,7               | 2210                  |
| A5           | 19,4           | 415           | 320              | 130               | 80           | 15,7               | 2305                  |

## Standard

- Designed in accordance with EN12999+EN13849
- Design class: HC1-S2
- Cross controls
- Load limit device
- Flanged valves
- Oil tank
- Manually extendable stabilizers
- Internal stabilizers pipes
- Fixed stabilizer cylinders
- Swivel stabilizer foot
- Centralized greasing system
- SDS Smooth Descent System
- A Class - Crane Control System (CE)
- LED panel - Human Machine Interface (CE)



## Fili FERRARI

Via Einstein, 8  
 42028 Poviglio (RE) Italy  
 Tel. +39 0522/486308  
 Fax +39 0522/486330  
 info@flliferrari.it  
 marketing@flliferrari.it  
 www.flliferrari.com



Quality and environmental certified

Dealer

Data, descriptions, and illustrations pertain only and uniquely to models sold at the time of printing of this brochure. After the date of printing, this information is purely indicative and not binding upon Fili Ferrari. Future modifications are solely at the discretion of Fili Ferrari and are always in compliance with applicable and pertinent safety standards. To obtain updated data, descriptions, and illustrations, contact the manufacturer or your reseller. Cranes manufactured and/or marketed by Fili Ferrari.