

730

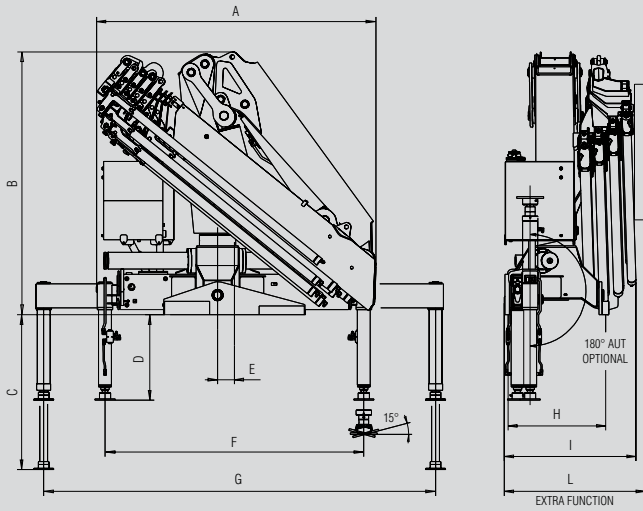


730

Ferrari

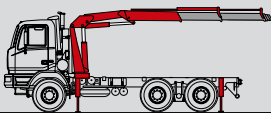
PASSION FOR LIFTING

730 Technical data



Model	kg	m	kg	m	kg	m	kg	m	kg	m	kg	m	kg	m	kg	m	kg	m
A2	27380*	11410**	6135	4230	3225	2440	1905	1485										
	1,00	2,40	4,41	6,28	8,15	10,13	12,10	14,28										
A3	27100*	11290**	6075	4100	3075	2440	1905	1485	1160									
	1,00	2,40	4,46	6,33	8,20	10,15	12,10	14,28	16,47									
A4	26160*	10900**	5865	3950	2935	2310	1905	1485	1160	900								
	1,00	2,40	4,46	6,33	8,20	10,15	12,10	14,28	16,47	18,76								
A5	25660*	10690**	5540	3765	2775	2150	1765	1485	1160	900	710							
	1,00	2,40	4,54	6,41	8,28	10,23	12,18	14,28	16,47	18,76	21,04							
A6	25270*	10530**	5455	3625	2645	2025	1635	1350	1160	900	710	570						
	1,00	2,40	4,63	6,50	8,37	10,32	12,27	14,37	16,47	18,76	21,04	23,23						
A7	24800*	10330**	5255	3465	2490	1895	1515	1230	1040	900	710	570						
	1,00	2,40	4,72	6,59	8,46	10,41	12,36	14,46	16,56	18,76	21,04	23,23						
A8	24380*	10160**	5070	3320	2370	1785	1405	1130	940	810	710	570						
	1,00	2,40	4,80	6,67	8,54	10,49	12,44	14,54	16,64	18,84	21,04	23,23						
E6J4													480	425	380	350	320	250
													19,55	21,15	22,70	24,09	25,69	27,50

*) Theoretical lifting capacity
 **) Capacity at fixed hook (only if with load limiting device in CE area)



Recommended truck:
 G.V.W. ton 19



Fili FERRARI
 Via Einstein, 8
 42028 Poggio (RE) Italy
 Tel. +39 0522/486308
 Fax +39 0522/486330
 info@filiferrari.it
 marketing@filiferrari.it
 www.filiferrari.com



Quality and environmental
 certified

	A2	A3	A4	A5	A6	A7	A8	A6J4
A	2510	2510	2510	2510	2510	2510	2510	2510
B	2350	2350	2350	2350	2350	2350	2350	2705
C	1500	1500	1500	1500	1500	1500	1500	1500
D	764	764	764	764	764	764	764	764
E	150	150	150	150	150	150	150	150
F	2310	2310	2310	2310	2310	2310	2310	2310
G	6610	6610	6610	6610	6610	6610	6610	6610
H	875	875	875	875	875	875	875	875
I	1010	1010	1010	1040	1060	1060	1180	-
L	1190	1190	1190	1190	1190	1250	1250	1190

	Lifting Moment	Swewing Angle	Working pressure	Oil tank capacity	Max Oil flow	Max lifting height	Standard crane weight
	tm	°	bar	l	l/min	m	kg
A2	27,4	425	325	180	80	11,90	3105
A3	27,1	425	325	180	80	13,80	3265
A4	26,1	425	325	180	80	15,80	3420
A5	25,6	425	325	180	80	17,90	3560
A6	25,2	425	325	180	80	20,10	3685
A7	24,8	425	325	180	80	22,40	3800
A8	24,3	425	325	180	80	24,70	3900
A6J4	-	425	325	180	80	29,10	4260

Standard

- Designed in accordance with EN12999+EN13849
- Design class: HC1-HD4
- Load limiting device
- Flanged valves
- Fixed stabilizer cylinders
- Swivel stabilizer foot
- Oil tank
- Radio remote controlled stabilizers (CE)
- EQS Extension Quick System
- SDV Smooth Descent Valve
- Red Power
- P-PB Proportional Power Boost
- P Class - Crane Control System (CE)
- Smart Top monitor 7"- Human Machine Interface (CE)

Dealer

Data, descriptions, and illustrations pertain only and uniquely to models sold at the time of printing of this brochure. After the date of printing, this information is purely indicative and not binding upon Fili Ferrari. Future modifications are solely at the discretion of Fili Ferrari and are always in compliance with applicable and pertinent safety standards. To obtain updated data, descriptions, and illustrations, contact the manufacturer or your reseller. Cranes manufactured and/or marketed by Fili Ferrari.