

734



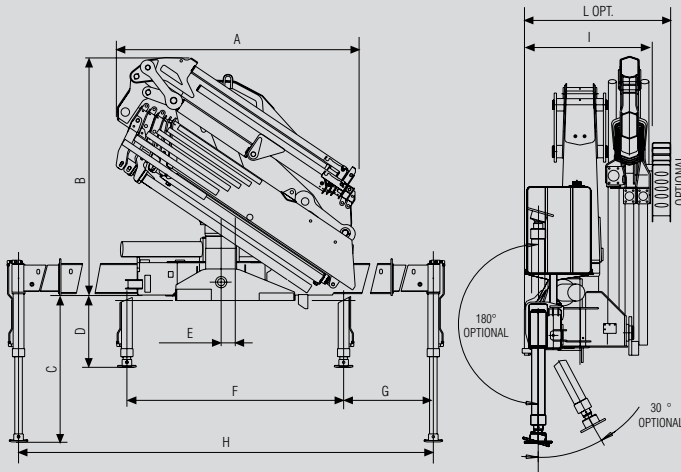
RADIOCONTROL

734

Ferrari

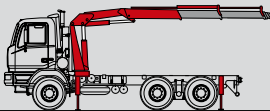
PASSION FOR LIFTING

734 Technical data



A2	30310*	11400**	7430	5090	3850	2790	2100	1590				
kg	1,00	2,57	4,08	5,85	7,70	9,70	11,79	14,98				
A3	29600*	11100**	7220	4930	3670	2870	2100	1590	1220			
kg	1,00	2,57	4,10	5,85	7,70	9,70	11,80	14,10	16,40			
A4	29020*	10800**	6910	4690	3450	2660	2180	1590	1220	960		
kg	1,00	2,57	4,20	5,95	7,80	9,80	11,80	14,10	16,40	18,75		
A5	28510*	10500**	6630	4480	3280	2480	2010	1670	1220	960	790	
kg	1,00	2,57	4,30	6,05	7,90	9,90	11,90	14,10	16,40	18,75	20,85	
A6	27800*	10250**	6390	4270	3090	2320	1850	1510	1290	960	790	
kg	1,00	2,57	4,35	6,20	8,00	10,00	12,00	14,20	16,40	18,75	20,85	
A7	27230*	10000**	6050	4060	2940	2180	1700	1370	1150	1000	790	
kg	1,00	2,57	4,50	6,30	8,20	10,20	12,20	14,40	16,60	18,75	20,85	
A8	26770*	9950**	5820	3860	2750	2020	1570	1250	1030	890	790	400
kg	1,00	2,57	4,60	6,40	8,30	10,30	12,30	14,50	16,70	18,90	21,05	23,50
A4J4												
kg	1090	935	815	695	605	425						
m	14,70	16,40	18,20	19,90	21,70	23,50						
A5J4												
kg	705	605	525	465	425	335						
m	16,90	18,60	20,30	22,10	23,90	25,80						

*) Theoretical lifting capacity
 **) Capacity at fixed hook (only if with load limiting device in CE area)



Recommended truck:
 G.V.W. ton 24

	A2	A3	A4	A5	A6	A7	A8	A4J4	A5J4
A	2070	2235	2325	2400	2480	2480	2535	2535	2545
B	2265	2265	2310	2360	2410	2485	2555	2620	2620
C	1536	1536	1536	1536	1536	1536	1536	1536	1536
D	746	746	746	746	746	746	746	746	746
E	150	150	150	150	150	150	150	150	150
F	2300	2300	2300	2300	2300	2300	2300	2300	2300
G	1950	1950	1950	1950	1950	1950	1950	1950	1950
H	6200	6200	6200	6200	6200	6200	6200	6200	6200
I	1170	1170	1170	1170	1170	1330	1330	1170	1170
L	1330	1330	1330	1330	1330	-	-	1330	1330

	Lifting Moment	Stewing Angle	Working pressure	Oil tank capacity	Max Oil flow	Max lifting height	Standard crane weight
	tm	°	bar	l	l/min	m	kg
A2	30,3	397	300	160	45	11,80	3820
A3	29,6	397	300	160	45	13,80	4040
A4	29,0	397	300	160	45	15,80	4270
A5	28,5	397	300	160	45	18,10	4440
A6	27,8	397	300	160	45	20,40	4600
A7	27,2	397	300	160	45	22,70	4720
A8	26,7	397	300	160	45	25,00	4840
A4J4	-	397	300	160	45	25,70	5110
A5J4	-	397	300	160	45	28,00	5280

Standard

- Designed in accordance with EN12999+EN13849
- Design class: HC1-HD4
- Load limiting device
- Multifunctional radio remote control
- Sauer Danfoss PVG32
- Flanged valves
- Oil tank
- Radio remote controlled stabilizers
- Fixed stabilizer cylinders
- Swivel stabilizer foot
- Centralized greasing system
- EQS Extension Quick System
- SDV Smooth Descent Valve
- Red Power
- P Class - Crane Control System (CE)
- Smart Top monitor 7"- Human Machine Interface (CE)



Fili FERRARI
 Via Einstein, 8
 42028 Poggio (RE) Italy
 Tel. +39 0522/486308
 Fax +39 0522/486330
 info@filiferrari.it
 marketing@filiferrari.it
 www.filiferrari.com



Quality and environmental
 certified

Dealer

Data, descriptions, and illustrations pertain only and uniquely to models sold at the time of printing of this brochure. After the date of printing, this information is purely indicative and not binding upon Fili Ferrari. Future modifications are solely at the discretion of Fili Ferrari and are always in compliance with applicable and pertinent safety standards. To obtain updated data, descriptions, and illustrations, contact the manufacturer or your reseller. Cranes manufactured and/or marketed by Fili Ferrari.