

MODELLI MODELS	MOMENTO LIFTING MOMENT	PRESSIONE MAX DI ESERCIZIO MAX WORKING PRESSURE	PORTATA AL DISTRIBUTORE OIL FLOW TO THE CONTROL VALVE	SBRACCIO MAX. VERTICALE MAX VERTICAL REACH	SERBATOIO OLIO OIL TANK	PESO WEIGHT	INTERASSE STAB. EXTRA APERTI EXTRA WIDE DISTANCE BETWEEN CENTRES WITH OPENED OUTRIGGERS
	tm	bar	l min	m	l	bar	mm
A2	74,0	315	100	12,10	280	7450	8770
A4	70,0	315	100	16,00	280	8100	8770
A6	67,7	315	100	20,10	280	8700	8770
A8	65,9	315	100	24,20	280	9250	8770
A10	65,3	315	100	28,80	280	9650	8770
A6J6	-	315	100	33,50	280	10200	8770
A8J4	-	315	100	33,80	280	10100	8770

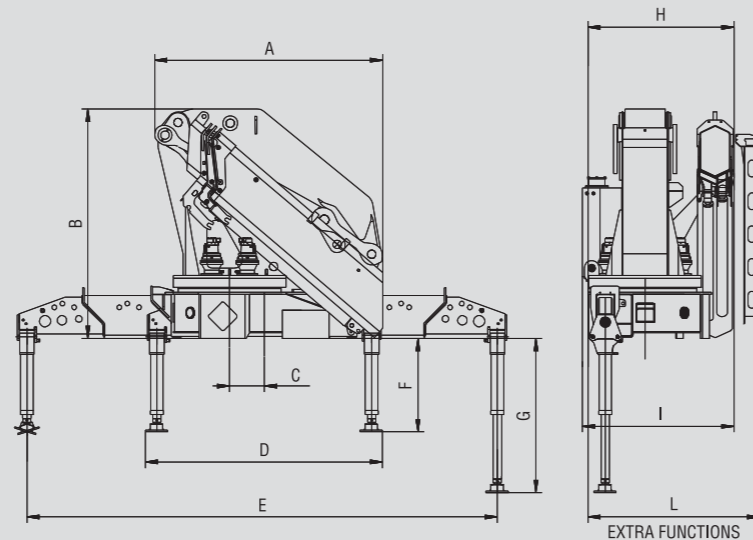
Autocarro consigliato - Recommended truck - Camion conseillé - Camion aconsejado
M.T.T. ton 42 - G.V.W. ton 42

STANDARD



A2	kg	24660*	17510	12610	9670									
	m	3,00	4,15	5,85	7,85									
A4	kg	23430*	16635	11815	8930	7080	5870							
	m	3,00	4,22	5,95	7,75	9,65	11,55							
A6	kg	22570*	15495	10975	8250	6410	5240	4410	3820	2905	2590	1940		
	m	3,00	4,37	6,10	7,87	9,80	11,70	13,70	15,70	17,70	19,70	22,10		
A8	kg	21970*	15085	10515	7745	5960	4810	3945	3340	2905	2590	1940	1755	1355
	m	3,00	4,37	6,10	7,87	9,80	11,70	13,70	15,70	17,70	19,70	22,10	24,25	26,60
A10	kg	21770*	14045	9800	7185	5450	4335	3525	2935	2500	2195	1940	1755	1305
	m	3,00	4,65	6,35	8,15	10,10	11,95	13,95	15,95	17,95	19,95	22,10	24,25	26,60
A6J6	kg													
	m													
		1705	1505	1365	1240	1130	1040	920	630					
		18,90	20,50	22,15	23,80	25,50	27,30	29,10	30,90					
A8J4	kg													
	m													
		950	850	775	710	660	550							
		22,40	24,10	25,85	27,60	29,40	31,30							

* Portata teorica
Theoretical lifting capacity



	A	B	C	D	E	F	G	H	I	L
A2	2431	2450	370	2530	8770	997	1650	1550	1610	1840
A4	2431	2450	370	2530	8770	997	1650	1550	1610	1840
A6	2470	2450	370	2530	8770	997	1650	1710	1770	1840
A8	2498	2505	370	2530	8770	997	1650	1735	1795	-
A10	2510	2635	370	2530	8770	997	1650	1735	1795	-
A6J6	2496	2800	370	2530	8770	997	1650	1735	-	1840
A8J4	2545	2875	370	2530	8770	997	1650	1735	-	1840

SPAZIO RICHIESTO PER L'INSTALLAZIONE NECESSARY SPACE FOR INSTALLATION

	Con attivazioni - With extra functions	
A2	1610	1900
A4	1610	1900
A6	1770	1900
A8	1800	1900
A10	1800	Non attivabili Non activated
A6J6	1900	Non attivabili Non activated
A8J4	1900	Non attivabili Non activated



F.lli FERRARI
Via Einstein, 8
42028 Poggio (RE) Italy
Tel. +39 0522/486308
Fax +39 0522/486330
marketing@flliferrari.it
www.flliferrari.com



M.K.T. 5800148. Data di stampa - Date of printing - Zeitpunkt des Drucks - Fecha de impresión. 01/05/2003 - REV.1



RADIOCONTROL

990R

Ferrari

PASSION FOR LIFTING

Ferrari 990R

PASSION FOR LIFTING

I
Norma di progettazione EN12999:2020 + EN13849
Classe di collaudo a fatica: HC1- HD4

- Rotazione continua
- Acciai ad alto limite di snervamento
- Struttura interamente pallinata
- Bracci esagonali
- Valvole di sicurezza flangiata
- Valvola rigenerativa sugli sfilii idraulici
- 2 motoriduttori
- Limitatore di momento
- Radiocomando
- Distributore proporzionale compensato Danfoss PVG 32
- ECM Electronic Crane Manager + Power Boost
- Luce 90%-100% visibile da tutti i lati della gru
- Filtro in pressione
- Stabilizzatori estendibili idraulicamente
- Stabilizzatori girevoli automatici
- Boccole autolubrificanti
- Raccorderia SAE-JIC
- Kit di montaggio compreso
- Red power
- Serbatoio
- Martinetti sfilo indipendenti
- Kit segnale luminoso aste chiuse (CE)
- Copertura termoformata per pannello comandi
- Sensore di corretto ripiegamento della gru (CE)
- Piattello stabilizzatore snodato
- Sensore proporzionale di inclinazione sul secondo braccio

- Accessori**
- Prolunghe meccaniche
 - Comandi supplementari attivati*
 - Traversa supplementare
 - Dispositivo di controllo RLC
 - Verricello idraulico
 - 3° motoriduttore
 - Utilizzo con attrezzi*
 - Scambiatore di calore
 - Basamento integrale**
 - Ingrassaggio manuale centralizzato
 - Lubrificazione centralizzata automatica

*) No A10 - A6J6 - A8J4
 **) + 300 kg

GB
Design in accordance with EN12999:2020 + EN13849
Fatigue test classification: HC1- HD4

- Continuous rotation
- High tensile strength steel
- Structure fully shotblasted
- Hexagonal booms
- Flanged valves
- Regenerative valve on hydraulic boom extensions
- 2 planetary gear reduction motors
- Load limiting device
- Radio remote control
- Proportional control valve Danfoss PVG 32
- ECM Electronic Crane Manager + Power Boost
- 90%-100% light visible from all around the crane
- Pressure filter
- Hydraulic opening stabilizers
- Automatic rotating stabilizers
- Self-lubricating bushings
- SAE-JIC fittings
- Mounting kit included
- Red power
- Oil tank
- Independent telescopic cylinders
- Light indicator for correct stabilizer stowing (CE)
- Plastic cover on the control station
- Sensor for correct stowing of the crane (CE)
- Swivel stabilizer foot
- Proportional inclination sensor on second boom

- Accessories**
- Manual extensions
 - Extra functions*
 - Extra cross beams
 - Load radio checking device RLC
 - Hydraulic winch
 - 3rd planetary gear reduction motor
 - Use with special accessories*
 - Oil cooler
 - Integral base**
 - Manual centralized greasing system
 - Automatic one-shot lubrication

F
Normes de calcul EN12999:2020 + EN13849
Tests de fatigue en classe: HC1- HD4

- Rotation sans fin
- Acier à résistance élevée
- Structure complètement grenailé
- Extensions hexagonales
- Soupapes de sûreté bridées
- Soupape régénération huile sur les extensions hydrauliques
- 2 motoréducteurs
- Limiteur de moment
- Radiocommande
- Distributeur proportionnel Danfoss PVG 32
- ECM Electronic Crane Manager + Power Boost
- Licht 90%-100 % sichtbar von allen Seiten des Kranes
- Filtre pression
- Stabilisateurs avec extension hydraulique
- Béquilles tournantes automatiques
- Douilles autolubrifiantes
- Raccords SAE-JIC
- Kit de montage inclus
- Red power
- Réservoir pour huile
- Vérins hydrauliques indépendants
- Kit capteurs de replis de béquilles stabilisatrices (CE)
- Capot de protection du bloc de commande
- Capteur de position "grue repliée" (CE)
- Colonne tricolore indiquant le statut de charge (90%-100%) visible de tous les cotés de la grue
- Plat d'appui béquille avec joint à rotule
- Capteur proportionnel d'inclinaison sur le second bras

- Accessoires**
- Rallonges mécaniques
 - Circuits supplémentaires activés*
 - Béquilles supplémentaires
 - Dispositif de contrôle de la charge RLC
 - Treuil hydraulique
 - Troisième motoréducteur
 - Utilisation avec accessoires*
 - Refroidisseur huile
 - Embase intégral**
 - Graissage centralisé manuel
 - Lubrification automatique

CE

D
Berechnungsnorm nach EN12999:2020 + EN13849
Ermüdungstest in Klasse: HC1- HD4

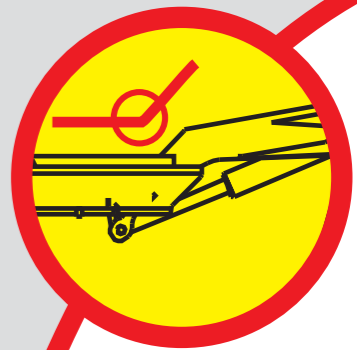
- Endlose Rotation
- Stahl mit hoher Fließgrenze
- Kugelstrahlen der Struktur
- Sechswinklige Ausschübe
- Geflanschte Sicherheitventile
- Regenerationsventil auf den Ausschüben
- 2 Getriebemotoren
- Momentbegrenzer
- Funkfernsteuerung
- Proportionale Steuerventil Danfoss PVG 32
- ECM Electronic Crane Manager + Power Boost
- Licht 90%-100 % sichtbar von allen Seiten des Kranes
- Druckfilter
- Abstützbeine mit hydraulischem Ausfahren
- Automatisch drehbare Abstützbeine
- Selbstschmierende Buchsen
- SAE-JIC Anschlüsse
- Einsatzbau eingeschlossen
- Red power
- Ölbehälter
- Unabhängige hydraulischen Hebers
- Warnleuchte für Abstützungen (CE)
- Kunststoffabdeckung für die Bedienungseinheit
- Sensor für die korrekte Zusammenfaltung des Kranes (CE)
- Gelenkstützteller
- Proportionalensensor für die Neigung am 2. Ausschub

- Zubehöre**
- Mechanische Verlängerungen
 - Zusatzfunktionen*
 - Zusatzabstützungen
 - Vorrichtung für Lastkontrolle RLC
 - Hydraulische Seilwinde
 - Dritter Getriebemotor
 - Benutzung mit Zubehören*
 - Ölkühler
 - Versenker Sockel**
 - Operator Full Protection
 - Manuell Zentralschmierung
 - Automatische Sammelschmierung

SP
Norma del proyecto: EN12999:2020 + EN13849
Tipo de ensayo a la fatiga: HC1- HD4

- Rotación continua
- Acero en el alto borde de rendimiento
- Estructura completamente granallada
- Prolongas hexagonales
- Válvulas de seguridad ensanchadas
- Válvula de regeneración sobre las prolongas
- 2 motorreductores
- Limitador de carga
- Mando a distancia
- Distribuidor proporcional Danfoss PVG 32
- ECM Electronic Crane Manager + Power Boost
- Luz 90%-100% visible desde todas partes de la grúa
- Filtro en presión
- Estabilizadores con apertura hidráulica
- Patas giratorias automáticas
- Casquillos autolubrificantes
- Racoreria SAE-JIC
- Kit de montaje incluido
- Red power
- Depósito de aceite
- Prolongas independientes
- Indicador luminoso de estabilizadores cerrados (CE)
- Tapa de plástico de el cuadro de mandos
- Sensor de plegado correcto de la grúa (CE)
- Plato de apoyo de patas articulado
- Sensor de inclinación proporcional en el segundo brazo

- Accesorios**
- Prolongas mecánicas
 - Activaciones adicionales*
 - Patas adicionales
 - Dispositivo de verificación de la carga RLC
 - Cabestrante hidráulico
 - Tercer motorreductor
 - Utilización con accesorios*
 - Intercambiador de calor
 - Base integrada**
 - Equipo engrasado centralizado manual
 - Lubricación central automática



Angolo negativo
Negative angle



Maggiore capacità di rotazione di coppia
Higher torque rotation capacity



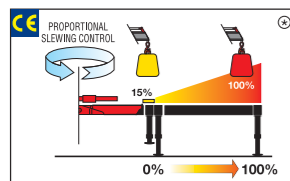
10 sfilii idraulic
10 hydraulic extensions



Basamento Integrale (optional)
Integrated basement (optional)

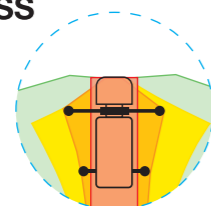
Crane control system

P - CLASS



- Proportional stabilizers control
- Proportional slewing control
- Truck side independent

Ⓢ The percentages present in the pictures are merely examples and they have no bearing on the cranes' real lifting capacities. The cranes' real lifting capacities will depend on truck's stability.



- Stabilizer's cylinders not on the ground
- 0% stabilizer's beams and stabilizer's cylinders on the ground
- 50% stabilizer's beams and stabilizer's cylinders on the ground
- 100% stabilizer's beams and stabilizer's cylinders on the ground
- Nominal pressure

Human machine interface

SMART TOP MONITOR 7"



Up to 16 languages available into the software.
 Top choice available for the range.
 Data statistics and crane management, all included into a 7" TFT monitor giving to the operator a higher level of awareness of the crane.

Crane controls

L - LCD REMOTE CONTROL



Each transmitter is equipped with 8 ergonomic proportional levers (6 for Scanreco mini) to control up to 8 functions of the crane.
 Using two hands, the operator can move 2-3-4 functions at once.
 This ensure more speed in loading or unloading operations with high precision.

G - GRAPHIC REMOTE CONTROL



Top visualization on 3" graphic display on the remote transmitter.
 Improved crane data visualization and crane control.
 Top level class proposal in the range.

