

746R
Double linkage



RADIOCONTROL

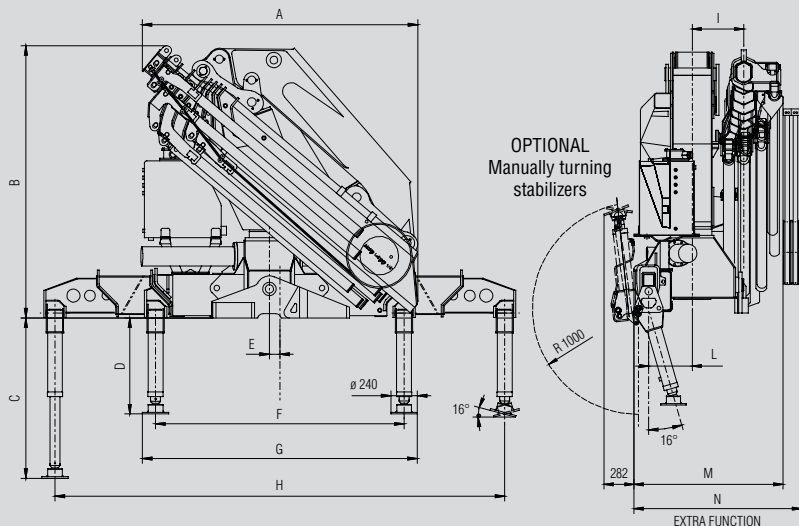
746R

Ferrari

PASSION FOR LIFTING

746R Technical data

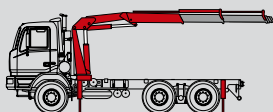
For non-CE markets only



	A2	A3	A4	A5	A6	A7	A8	A6J4
A	2128	2210	2315	2372	2455	2464	2509	2515
B	2460	2460	2460	2460	2460	2460	2480	2725
C	1462	1462	1462	1462	1462	1462	1462	1462
D	875	875	875	875	875	875	875	875
E	95	95	95	95	95	95	95	95
F	2263	2263	2263	2263	2263	2263	2263	2263
G	2503	2503	2503	2503	2503	2503	2503	2503
H	5050	5050	5050	5050	5050	5050	5050	5050
H (EXT)	7400	7400	7400	7400	7400	7400	7400	7400
I	485	485	485	485	485	485	485	485
L	410	410	410	410	410	410	410	410
M	1275	1275	1275	1285	1285	1400	1400	1470
N	1470	-	1470	-	1470	-	-	-

A2		21600*	10235	7235	5515													
kg		2,00	4,22	6,00	7,85													
m																		
A3		21180*	9780	6910	5245	4180	3245	2545	2025									
kg		2,00	4,33	6,10	8,00	9,90	11,90	14,00	16,10									
m																		
A4		20890*	9385	6600	4960	3915	3245	2545	2025	1595								
kg		2,00	4,45	6,20	8,05	10,00	11,90	14,00	16,10	18,30								
m																		
A5		20700*	9200	6400	4735	3685	3015	2545	2025	1595	1255							
kg		2,00	4,45	6,20	8,05	10,00	11,90	14,00	16,10	18,30	20,50							
m																		
A6		20030*	8890	6145	4525	3480	2820	2345	2025	1595	1255	1000						
kg		2,00	4,50	6,25	8,10	10,00	12,00	14,00	16,10	18,30	20,50	22,70						
m																		
A7		19620*	8715	5950	4330	3290	2620	2155	1830	1595	1255	1000						
kg		2,00	4,50	6,30	8,20	10,20	12,20	14,40	16,60	18,75	20,50	22,70						
m																		
A8		19280*	8375	5705	4125	3110	2440	1960	1650	1415	1255	1000						
kg		2,00	4,60	6,30	8,20	10,10	12,10	14,10	16,20	18,30	20,50	22,70						
m																		
A6J4													kg 880 770 680 620 570 450					
													m 18,90 20,60 22,30 24,10 25,90 27,80					

*) Theoretical lifting capacity



Recommended truck:
G.V.W. ton 24



Fili FERRARI

Via Einstein, 4
42028 Poggio (RE) Italy
Tel. +39 0522/486308
Fax +39 0522/486330
info@filiferrari.it
marketing@filiferrari.it
www.filiferrari.com



Quality and environmental
certified

Standard

- Designed in accordance with EN12999+EN13849
- Design class: HC1-HD4
- Load limiting device
- Multifunctional radio remote control
- Sauer Danfoss PVG32
- Flanged valves
- Oil tank
- Radio remote controlled stabilizers
- Fixed stabilizer cylinders
- Swivel stabilizer foot
- Centralized greasing system
- EQS Extension Quick System
- SDV Smooth Descent Valve
- Red Power

Dealer

Data, descriptions, and illustrations pertain only and uniquely to models sold at the time of printing of this brochure. After the date of printing, this information is purely indicative and not binding upon Fili Ferrari. Future modifications are solely at the discretion of Fili Ferrari and are always in compliance with applicable and pertinent safety standards. To obtain updated data, descriptions, and illustrations, contact the manufacturer or your reseller. Cranes manufactured and/or marketed by Fili Ferrari.