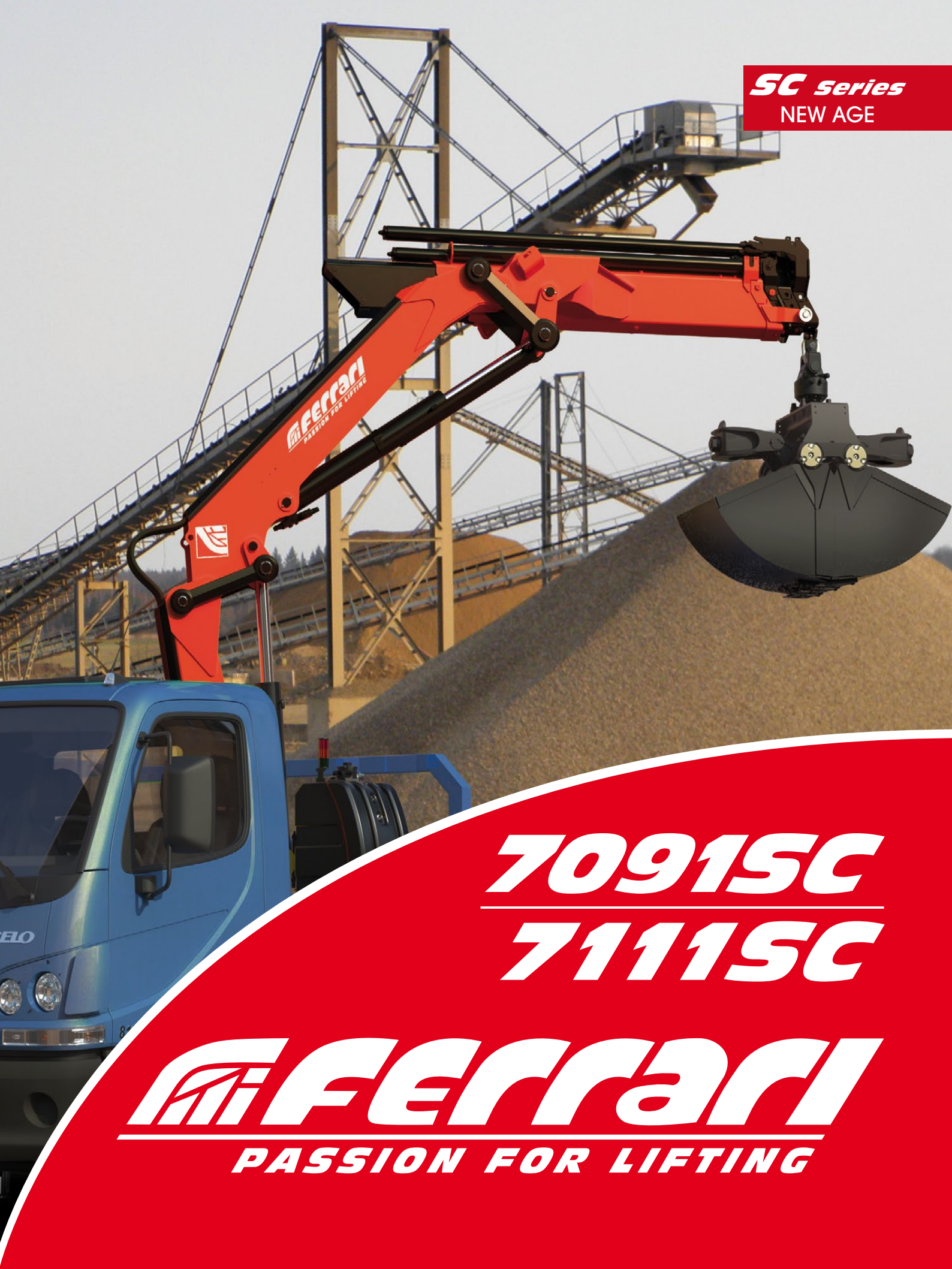


SC series
NEW AGE



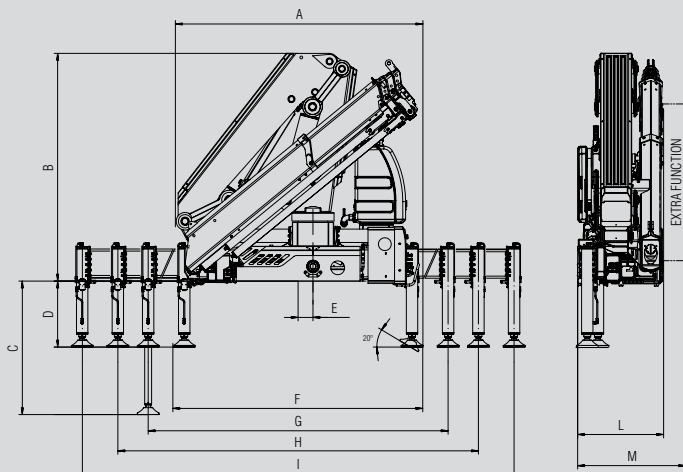
7091SC

7111SC

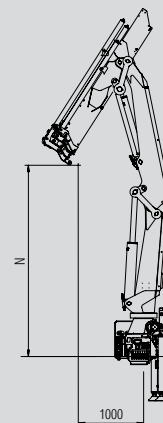
Ferrari

PASSION FOR LIFTING

7091SC - 7111SC Technical data



	7091SC		7111SC	
	A2	A3	A2	A3
A	2285	2285	2273	2273
B	2085	2085	2108	2108
C	1185	1185	1327	1327
D	585	585	635	635
E	160	160	160	160
F	2270	2270	2303	2303
G	3290	3290	3300	3300
H	4790	4790	4805	4805
I	5755	5755	5765	5765
L	840	840	800	800
M	885	885	840	840
N	2290	2210	2260	2180



7091SC

A2

kg	2420	1715	1215
m	3,42	4,86	6,67

A3

kg	2295	1570	1120	850
m	3,50	4,95	6,75	8,70

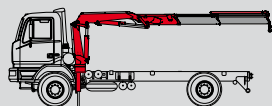
7111SC

A2

kg	2231	1643	1239
m	3,55	4,99	6,80

A3

kg	2156	1563	1154	906
m	3,62	5,06	6,87	8,82



Recommended truck:
7091SC - M.T.T. ton 8 - G.V.W. ton 8
7111SC - M.T.T. ton 10 - G.V.W. ton 10

	Lifting Moment	Slewing Angle	Working pressure	Oil tank capacity	Max Oil flow	Max lifting height	Standard crane weight
	tm	°	bar	l	l/m	m	kg
7091SC							
A2	8,2	425	315	75	40	10,1	1280
A3	8,0	425	315	75	40	12,2	1370
7111SC							
A2	8,4	425	315	75	40	10,3	1495
A3	8,0	425	315	75	40	12,4	1595

Standard

- Designed in accordance with EN12999
- Design class: HC1-S2
- Cross controls
- Load limit device
- Flanged valves
- Oil tank
- Manually extendable stabilizers
- Fixed stabilizer cylinders
- Swivel stabilizer foot
- Centralized greasing system
- EQS Extension Quick System
- SDV Smooth Descent Valve
- RED POWER
- F3XL Crane control system (CE)



F.lli FERRARI

Via Einstein, 8
 42028 Poggio (RE) Italy
 Tel. +39 0522/486308
 Fax +39 0522/486330
 info@fliferrari.it
 marketing@fliferrari.it
 www.fliferrari.com



Quality and environmental
 certified

Dealer

Data, descriptions, and illustrations pertain only and uniquely to models sold at the time of printing of this brochure. After the date of printing, this information is purely indicative and not binding upon F.lli Ferrari. Future modifications are solely at the discretion of F.lli Ferrari and are always in compliance with applicable and pertinent safety standards. To obtain updated data, descriptions, and illustrations, contact the manufacturer or your reseller. Cranes manufactured and/or marketed by F.lli Ferrari.