

SC series
NEW AGE



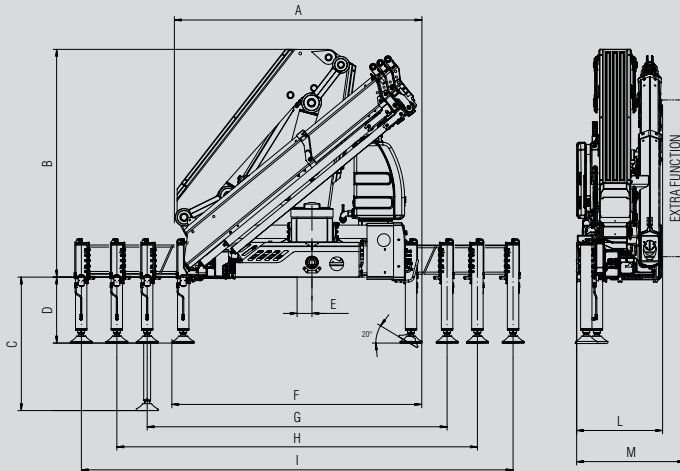
7213SC

7243SC

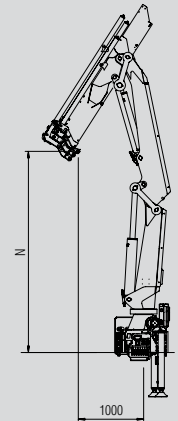
Ferrari

PASSION FOR LIFTING

7213SC - 7243SC Technical data



	7213SC			7243SC		
	A2	A3	A4	A2	A3	A4
A	2475			2520		
B	2300			2300		
C	1348			1348		
D	666			666		
E	150			150		
F	2520			2520		
G	4860			4860		
H	5500			5500		
I	7420			7420		
L	870			930		
M	990			1055		
N	2770	2682	2594	2578	2578	2489

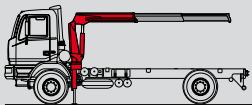


A2	7213SC			7243SC		
	kg	m		kg	m	
	5355	3,49		6170	3,68	
	3850	4,82		4495	5,01	
	2735	6,77		3210	6,98	
A3	7213SC			7243SC		
	kg	m		kg	m	
	4935	3,58		5940	3,68	
	3410	4,91		4295	5,01	
	2470	6,86		3030	6,98	
	1890	8,91		2315	9,05	
A4	7213SC			7243SC		
	kg	m		kg	m	
	4740	3,65		5620	3,76	
	3370	4,98		4040	5,09	
	2335	6,93		2815	7,06	
	1755	8,98		2125	9,13	
	1415	11,03		1715	11,20	

	Lifting Moment	Swiveling Angle	Working pressure	Oil tank capacity	Max Oil flow	Max lifting height	Standard crane weight
	tm	°	bar	l	l/m	m	kg
7213SC							
A2	18,7	415	300	130	70	10,5	2350
A3	17,7	415	300	130	70	12,7	2485
A4	17,3	415	300	130	70	14,8	2605
7243SC							
A2	22,7	415	300	130	80	10,7	2530
A3	21,8	415	300	130	80	12,8	2670
A4	21,8	415	300	130	80	14,9	2810

Standard

- Designed in accordance with EN12999
- Design class: HC1-S2
- Cross controls
- Load limit device
- Flanged valves
- Oil tank
- Manually extendable stabilizers
- Internal stabilizers pipes
- Fixed stabilizer cylinders
- Swivel stabilizer foot
- Centralized greasing system
- EQS Extension Quick System
- SDV Smooth Descent Valve
- Red Power
- F3XL Crane control system (CE)



Recommended truck:
7213SC - M.T.T. ton 17 - G.V.W. ton 17
7243SC - M.T.T. ton 19 - G.V.W. ton 19



F.lli FERRARI

Via Einstein, 8
 42028 Poviglio (RE) Italy
 Tel. +39 0522/486308
 Fax +39 0522/486330
 info@fliferrari.it
 marketing@fliferrari.it
 www.fliferrari.com



Quality and environmental
 certified

Dealer

Data, descriptions, and illustrations pertain only and uniquely to models sold at the time of printing of this brochure. After the date of printing, this information is purely indicative and not binding upon F.lli Ferrari. Future modifications are solely at the discretion of F.lli Ferrari and are always in compliance with applicable and pertinent safety standards. To obtain updated data, descriptions, and illustrations, contact the manufacturer or your reseller. Cranes manufactured and/or marketed by F.lli Ferrari.