

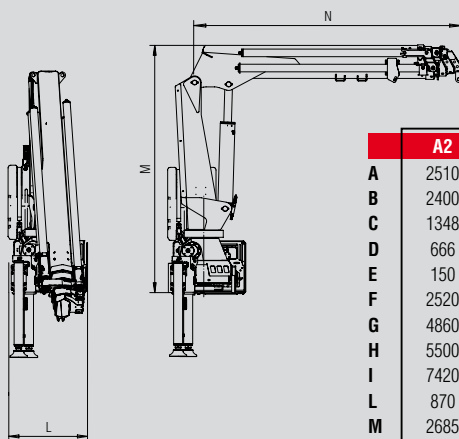
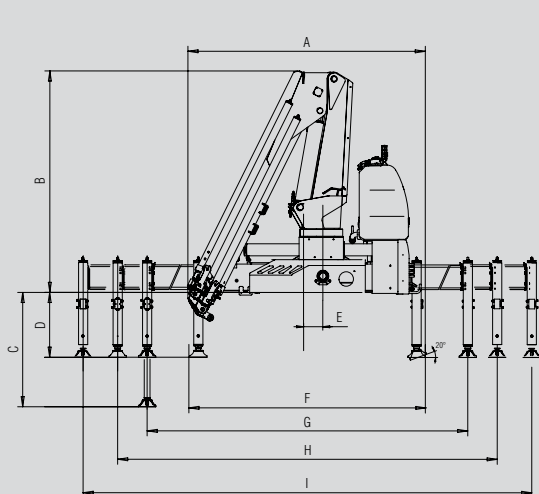
***D Series***  
NEW AGE



***7212D***  
***7240D***

***Ferrari***  
***PASSION FOR LIFTING***

# 7212D - 7240D Technical data



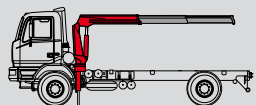
	A2	A3	A4	A5
A	2510	2510	3540	3540
B	2400	2400	2400	2400
C	1348	1348	1348	1348
D	666	666	666	666
E	150	150	150	150
F	2520	2520	2520	2520
G	4860	4860	4860	4860
H	5500	5500	5500	5500
I	7420	7420	7420	7420
L	870	870	870	870
M	2685	2685	2685	2685
N	2850	2935	3020	3100

## 7212D

Model	kg	m	kg	m	kg	m	kg	m	kg	m
A2	8510	2,37	4845	4,17	3385	5,97				
A3	8415	2,46	4805	4,26	3425	6,06	2510	7,99		
A4	8085	2,54	4710	4,34	3275	6,14	2455	8,08	1900	10,02
A5	7250	2,62	4265	4,42	2955	6,22	2180	8,16	1760	10,10
									1380	12,03

## 7240D

Model	kg	m	kg	m	kg	m	kg	m	kg	m
A2	8655	2,37	4985	4,17	3525	5,97				
A3	8560	2,46	4945	4,26	3465	6,06	2645	7,99		
A4	8230	2,54	4755	4,34	3320	6,14	2505	8,08	2005	10,02
A5	7385	2,62	4395	4,42	3040	6,22	2270	8,16	1825	10,10
									1490	12,03



Recommended truck:  
**7212D** - M.T.T. ton 19 - G.V.W. ton 19  
**7240D** - M.T.T. ton 19 - G.V.W. ton 19



### F.lli FERRARI

Via Einstein, 8  
 42028 Poviglio (RE) Italy  
 Tel. +39 0522/486308  
 Fax +39 0522/486330  
 info@fliferrari.it  
 marketing@fliferrari.it  
 www.fliferrari.com

	Lifting Moment	Slewing Angle	Working pressure	Oil tank capacity	Max Oil flow	Max lifting height	Standard crane weight
	tm	°	bar	l	l/m	m	kg
<b>7212D</b>							
A2	20,2	415	315	130	80	9,7	1945
A3	20,7	415	315	130	80	11,7	2090
A4	20,5	415	315	130	80	13,7	2210
A5	19,0	415	300	130	80	15,7	2305
<b>7240D</b>							
A2	20,5	415	335	130	80	9,7	1945
A3	21,1	415	335	130	80	11,7	2090
A4	20,9	415	335	130	80	13,7	2210
A5	19,4	415	320	130	80	15,7	2305

### Standard

- Designed in accordance with EN12999
- Design class: HC1-S2
- Cross controls
- Load limit device
- Flanged valves
- Oil tank
- Manually extendable stabilizers
- Internal stabilizers pipes
- Fixed stabilizer cylinders
- Swivel stabilizer foot
- Centralized greasing system
- SDS Smooth Descent System
- F3XL Crane control system (CE)

Dealer

Data, descriptions, and illustrations pertain only and uniquely to models sold at the time of printing of this brochure. After the date of printing, this information is purely indicative and not binding upon F.lli Ferrari. Future modifications are solely at the discretion of F.lli Ferrari and are always in compliance with applicable and pertinent safety standards. To obtain updated data, descriptions, and illustrations, contact the manufacturer or your reseller. Cranes manufactured and/or marketed by F.lli Ferrari.